

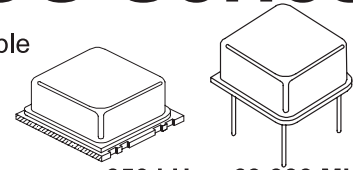


# Pletronics, Inc.

19013 36th Ave. W, Suite H • Lynnwood, WA 98036 USA  
 Manufacturer of High Quality Frequency Control Products

## SQ3345, SQ2245 CMOS Series

- SQ3345: CMOS with Enable/ Disable, SQ2245 without Enable/Disable
- Lower Ringing Noise Option Available to Reduce EMI
- Half Size (8 Pin DIP) Metal Clock Oscillator
- Available in Thru-Hole or Surface Mount Configuration



650 kHz – 69.999 MHz

### Standard Specifications

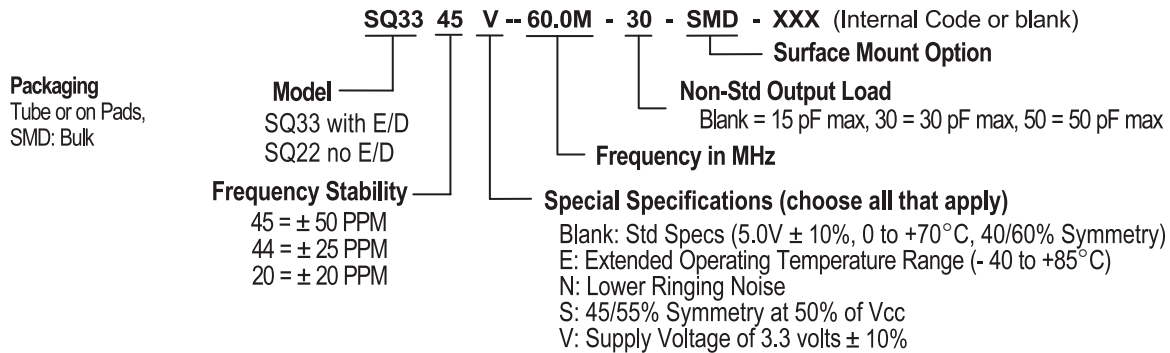
<b>Overall Frequency Stability</b>	± 50 PPM, ± 25 PPM, ± 20 PPM over Operating Temperature Range
<b>Operating Temperature Range</b>	0 to +70°C is standard, but can be extended to - 40 to +85°C for certain frequencies
<b>Supply Voltage (Vcc)</b>	5.0 volts and 3.3 volts available
<b>Symmetry (Duty Cycle)</b>	40/60 to 60/40% is standard, but 45/55% at 50% of Vcc is also available (see Waveform 1)
<b>Logic Levels</b>	<b>Logic "1"</b> 90% of Vcc MIN; <b>Logic "0"</b> 10% of Vcc MAX
<b>Output Load</b>	Standard load is 15 pF (typ. 1 ASIC) maximum, see Test Circuit 3 (consult factory for <b>heavier</b> loads)
<b>Ringing Noise</b>	Depends on frequency and output load. See EMI application note
<b>SQ33: Enable/Disable Option (E/D)</b>	Output enabled when Pin #1 is open or at Logic "1"; Output disabled when Pin #1 is at Logic "0".

	Frequency Range (MHz)	Max. Supply Current Icc (mA) w/ 15pF load		Rise and Fall Time Tr & Tf (nS) w/ 15pF load	
		3.3V	5.0V	Typical	Maximum
		0.650 – 10.000	7	10	3.0
10.001 – 25.999	10	20	2.5	3.5	
26.000 – 34.999	15	25	2.5	3.5	
35.000 – 50.000	20	30	2.5	3.5	
50.001 – 69.999	25	35	2.5	3.5	

CMOS < 80 MHz  
Page 11A - 16

### Part Numbering Guide

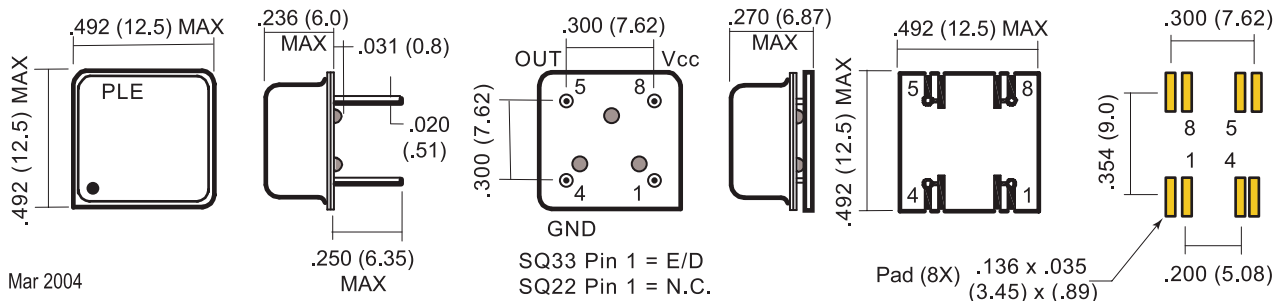
Portions of the part number that appear after the frequency may not be marked on part (C of C provided)



Consult factory for available frequencies and specs. Not all options available for all frequencies. A special part number may be assigned.  
 Frequency Stability is inclusive of frequency shifts due to calibration, temperature, supply voltage, shock, vibration and load

### Mechanical: inches (mm) not to scale Surface Mount Solder Pads

Due to part size and factory abilities, part marking may vary from lot to lot and may contain our part number or an internal code.



Mar 2004